

4

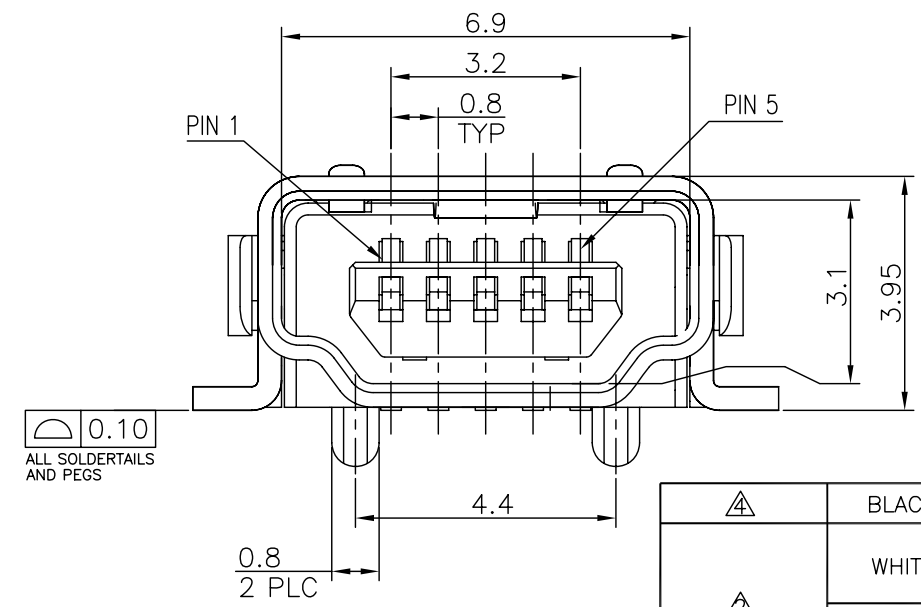
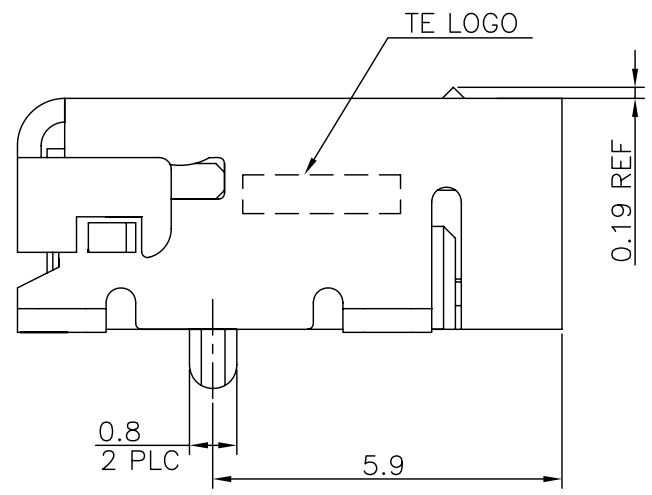
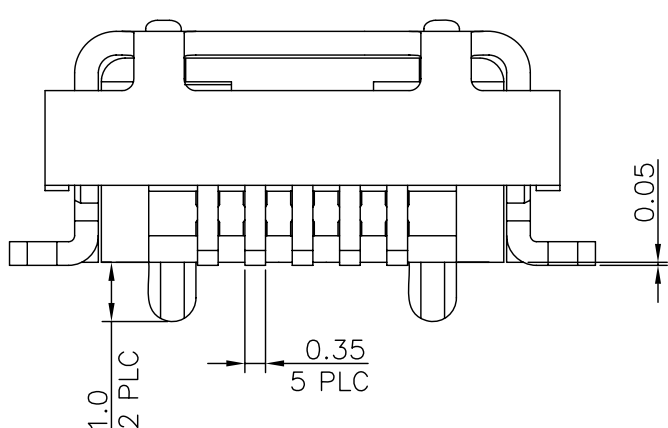
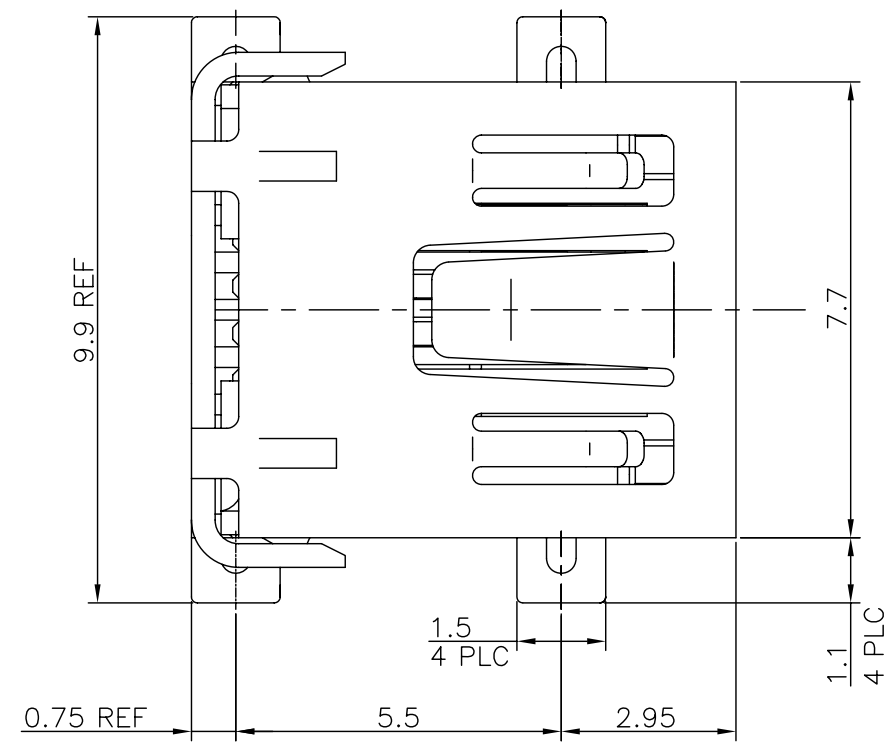
3

2

1

THIS DRAWING IS UNPUBLISHED. RELEASED FOR PUBLICATION AUG ,2006.
 © COPYRIGHT BY TYCO ELECTRONICS CORPORATION. ALL RIGHTS RESERVED.

LOC	DIST	REVISIONS				
P	LTR	DESCRIPTION	DATE	DWN	APVD	
DW	/	B	REVISED ECR-08-029755 (ADD 2--2)	24NOV08	SC	WK



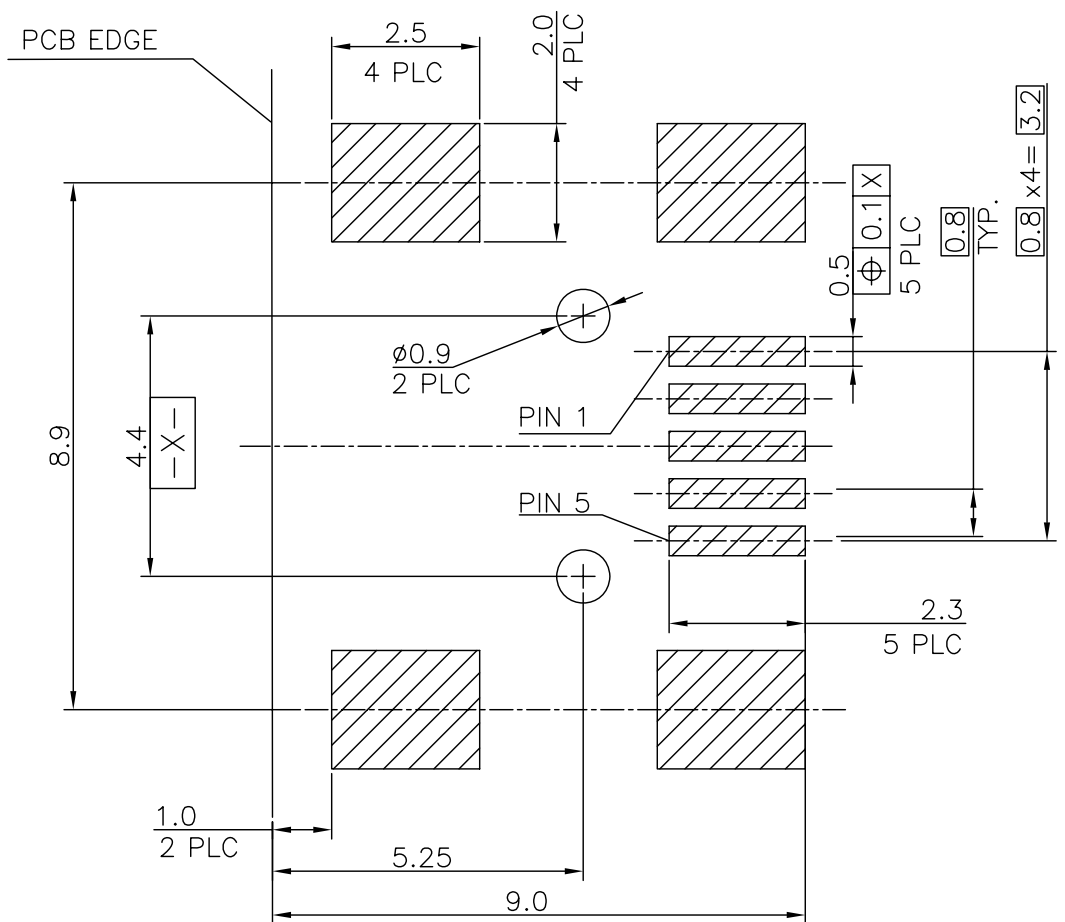
0.10
ALL SOLDDERTAILS AND PEGS

FINISH (SEE NOTE)	HSG. COLOR	PACKAGE	PART NUMBER
A	BLACK	REEL	2-1734327-2
	WHITE	REEL	1-1734327-2
B	BLACK	TRAY	1-1734327-1
	BLACK	REEL	1734327-2
	BLACK	TRAY	1734327-1

THIS DRAWING IS A CONTROLLED DOCUMENT.		DWN S. CHIEN 24NOV2008	Tyco Electronics Corporation Taipei, Taiwan			
DIMENSIONS: MM		CHK S. CHIEN 24NOV2008				
TOLERANCES UNLESS OTHERWISE SPECIFIED:		APVD W. KODAMA 24NOV2008	NAME MINI USB CONN., TYPE A, RCPT 5 POS., RIGHT ANGLE, SMT			
0 PLC ± 0.38 1 PLC ± 0.25 2 PLC ± 0.13 3 PLC ± 0.05 4 PLC ± - ANGLES ± 3°		PRODUCT SPEC 108-57062 QUALIFICATION TEST REPORT 501-57070				
MATERIAL SEE NOTE(PAGE 2)	FINISH SEE NOTE(PAGE 2)	WEIGHT 0.76 GRAMS	SIZE A3	CAGE CODE 00779	DRAWING NO C=1734327	RESTRICTED TO
CUSTOMER DRAWING		SCALE -	SHEET 1 of 4	REV B		

THIS DRAWING IS UNPUBLISHED. RELEASED FOR PUBLICATION AUG ,2006.
 © COPYRIGHT BY TYCO ELECTRONICS CORPORATION. ALL RIGHTS RESERVED.

LOC	DIST	REVISIONS			
P	LTR	DESCRIPTION	DATE	DWN	APVD
DW		SEE SHEET 1.			



RECOMMENDED PCB LAYOUT (MOUNTING SIDE)
 (THICKNESS=1.57mm) (TOLERANCE=±0.05mm)

- NOTES:
- MATERIAL:
 HOUSING: PA6T ,WITH 30% GF, UL 94V-0, COLOR: SEE TABLE.
 CONTACT: PHOSPHOR BRONZE, THICKNESS:0.25mm.
 SHELL: PHOSPHOR BRONZE, THICKNESS:0.40mm.
 - FINISH:
 CONTACTS: 0.76μm [30μ"] MIN. GOLD PLATED ON CONTACT AREA,
 2.54μm [100μ"] MIN, TIN-CU PLATED ON OLDER TAILS:
 1.27μm [50μ"] MIN. NICKEL UNDERPLATED ALL OVER.
 SHELL : 2.032μm [80μ"] MIN. NICKEL PLATED ALL OVER
 - REFLOW SOLDER CAPABLE TO 260°C PER TE SPEC 109-201
 CONDITION B.
 - FINISH:
 CONTACTS: 0.76μm [30μ"] MIN GOLD PLATED ON CONTACT AREA,
 3.0μm [118μ"] MIN, MATTE-TIN PLATED ON SOLDER TAILS :
 1.27μm [50μ"] MIN. NICKEL UNDERPLATED OVERALL.
 SHELL : 0.76~2.28μm[30~90μ"] MATTE TIN
 1.27μm[50μ"] NICKEL UNDERPLATED

THIS DRAWING IS A CONTROLLED DOCUMENT.		DWN		Tyco Electronics Corporation Taipei, Taiwan																							
DIMENSIONS: MM		TOLERANCES UNLESS OTHERWISE SPECIFIED:		NAME																							
<table border="1"> <tr><td>0 PLC</td><td>± -</td></tr> <tr><td>1 PLC</td><td>± -</td></tr> <tr><td>2 PLC</td><td>± -</td></tr> <tr><td>3 PLC</td><td>± -</td></tr> <tr><td>4 PLC</td><td>± -</td></tr> <tr><td>ANGLES</td><td>± -</td></tr> </table>		0 PLC	± -	1 PLC	± -	2 PLC	± -	3 PLC	± -	4 PLC	± -	ANGLES	± -	<table border="1"> <tr><td>CHK</td><td></td></tr> <tr><td>APVD</td><td></td></tr> <tr><td>PRODUCT SPEC</td><td></td></tr> <tr><td>APPLICATION SPEC</td><td></td></tr> <tr><td>WEIGHT</td><td></td></tr> </table>		CHK		APVD		PRODUCT SPEC		APPLICATION SPEC		WEIGHT		MINI USB CONN., TYPE A, RCPT 5 POS., RIGHT ANGLE, SMT	
0 PLC	± -																										
1 PLC	± -																										
2 PLC	± -																										
3 PLC	± -																										
4 PLC	± -																										
ANGLES	± -																										
CHK																											
APVD																											
PRODUCT SPEC																											
APPLICATION SPEC																											
WEIGHT																											
MATERIAL		FINISH		SIZE	RESTRICTED TO																						
				A3 00779																							
				C=1734327																							
CUSTOMER DRAWING				SCALE	REV B																						
				SHEET	2 OF 4																						

THIS DRAWING IS UNPUBLISHED.

RELEASED FOR PUBLICATION

AUG ,2006.

© COPYRIGHT - BY TYCO ELECTRONICS CORPORATION. ALL RIGHTS RESERVED.

LOC

DIST

REVISIONS

DW

P

LTR

DESCRIPTION

DATE

DWN

APVD

SEE SHEET 1.

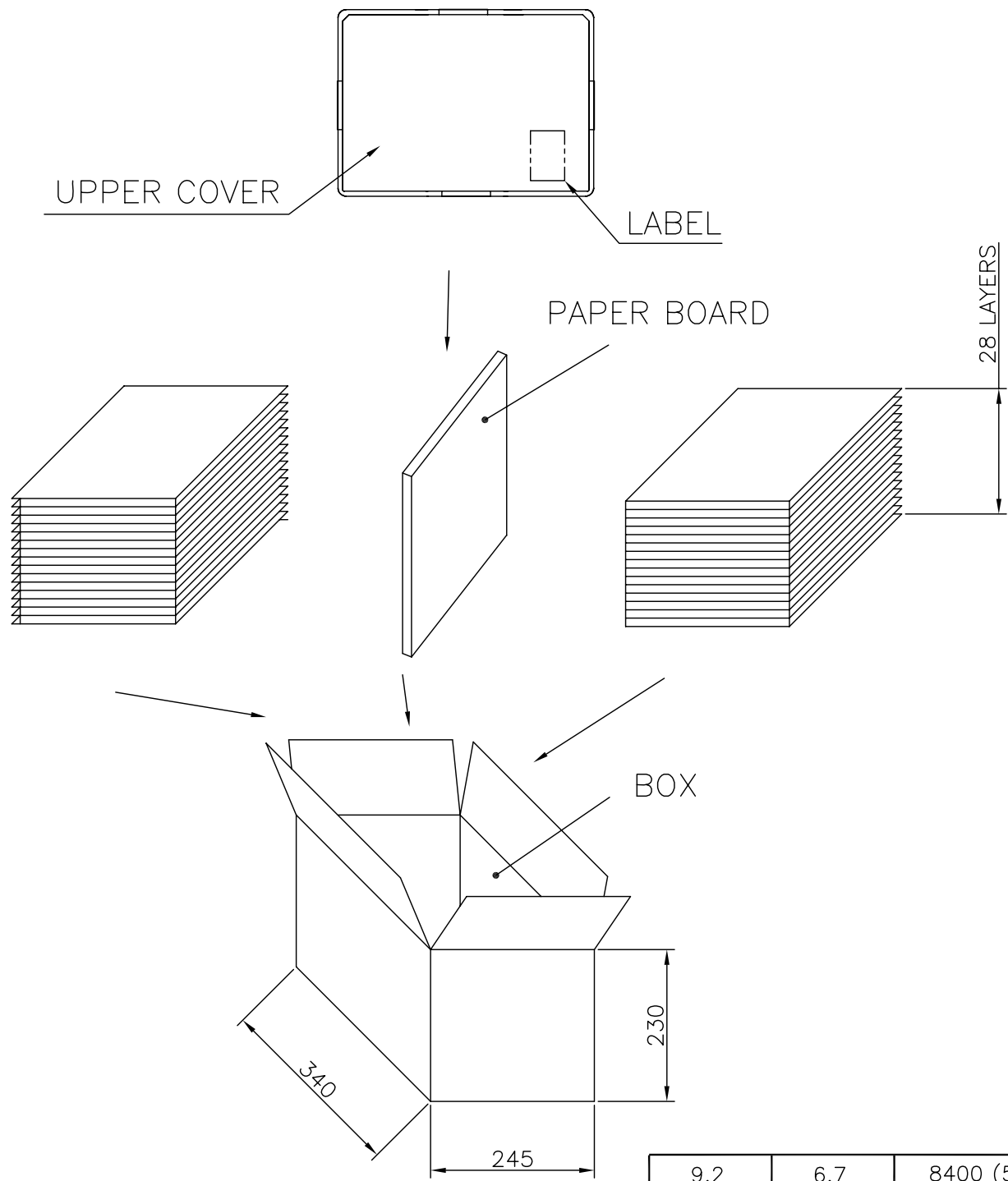
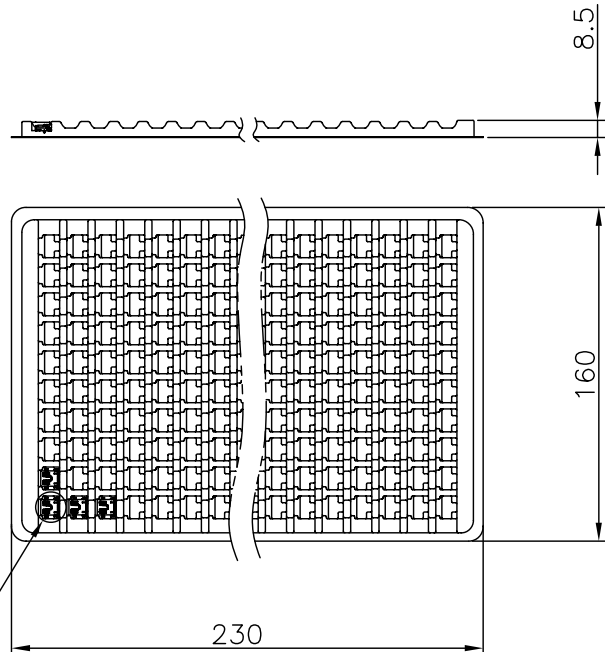
UPPER COVER

LABEL

PAPER BOARD

BOX

28 LAYERS



9.2	6.7	8400 (56 TRAYS)	150
G.W(KGS)	N.W(KGS)	QUANTITY/ BOX	PCS/ TRAY

THIS DRAWING IS A CONTROLLED DOCUMENT.		DWN		Tyco Electronics Corporation Taipei, Taiwan	
DIMENSIONS: MM		TOLERANCES UNLESS OTHERWISE SPECIFIED:		NAME	
		0 PLC ± - 1 PLC ± - 2 PLC ± - 3 PLC ± - 4 PLC ± - ANGLES ± -		MINI USB CONN., TYPE A, RCPT 5 POS., RIGHT ANGLE, SMT	
MATERIAL		FINISH		SIZE CAGE CODE DRAWING NO RESTRICTED TO	
				A3 00779 C-1734327	
CUSTOMER DRAWING				SCALE SHEET 3 of 4 REV B	

4

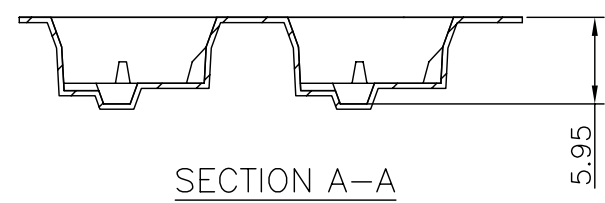
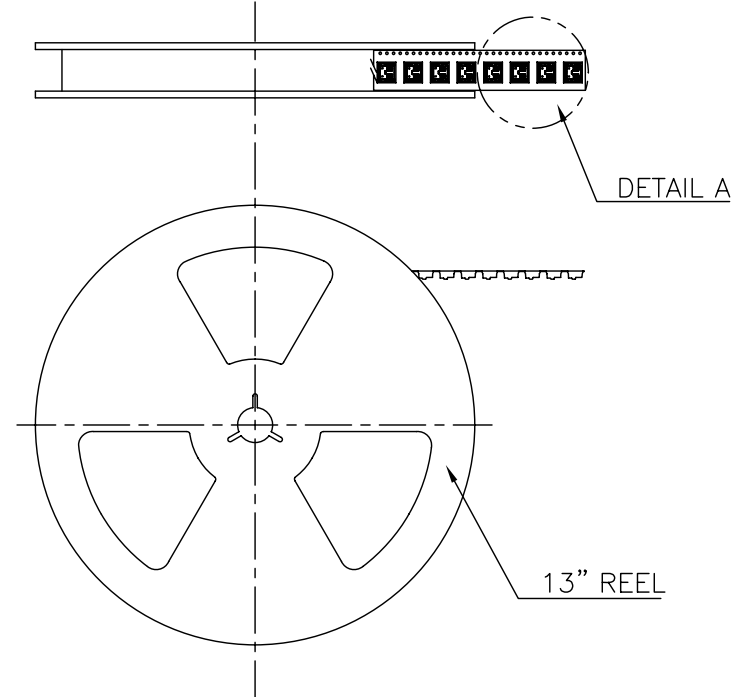
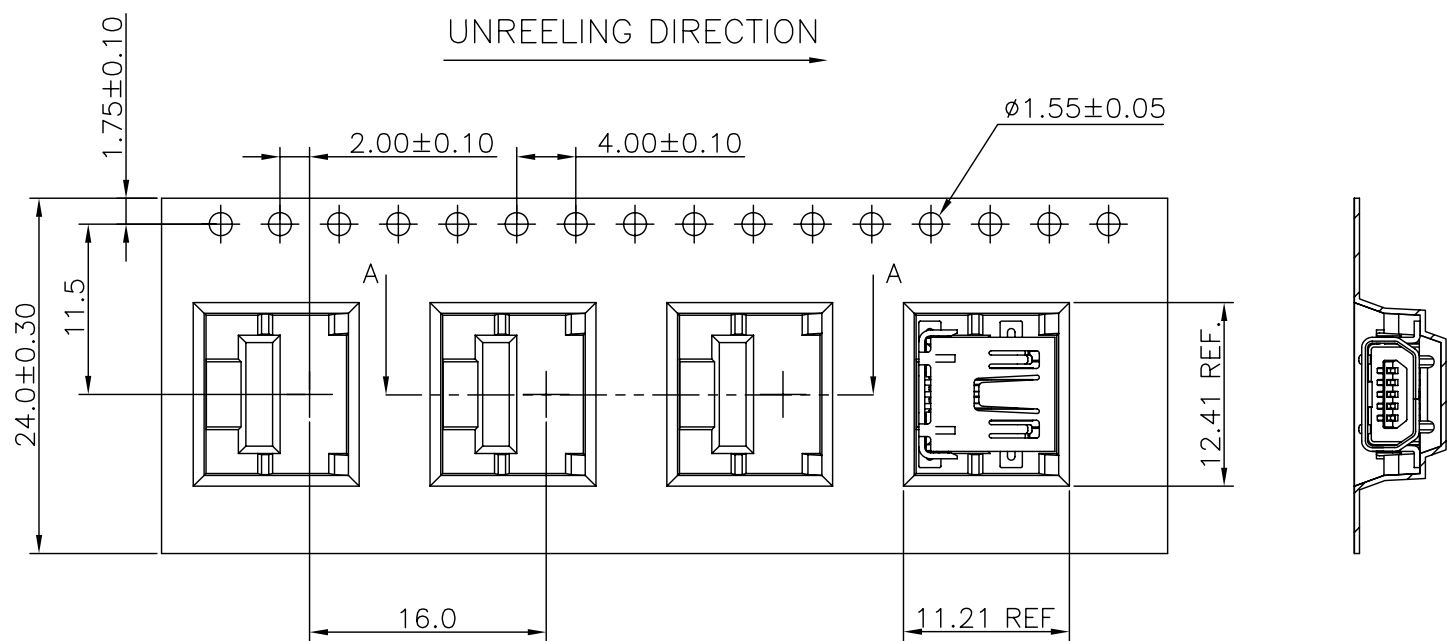
3

2

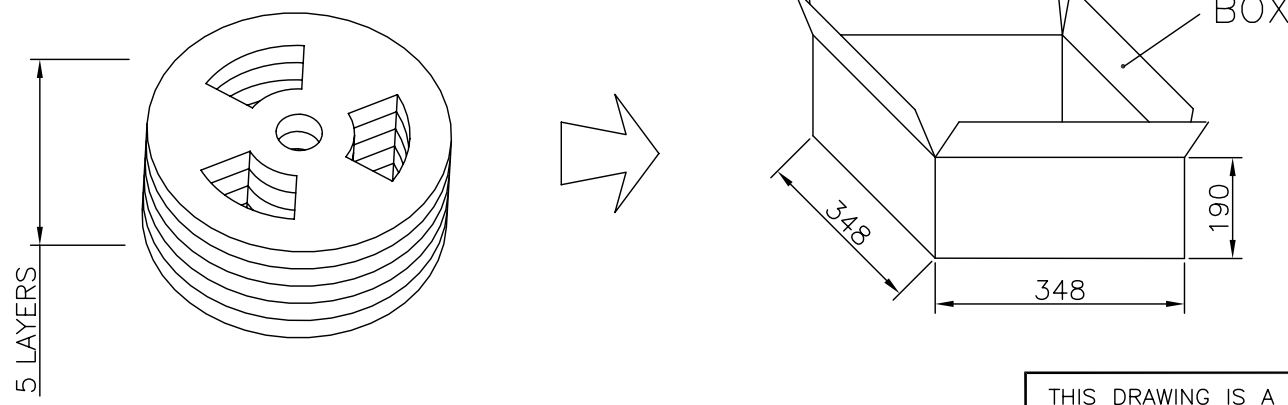
1

THIS DRAWING IS UNPUBLISHED. RELEASED FOR PUBLICATION AUG ,2006.
 © COPYRIGHT BY TYCO ELECTRONICS CORPORATION. ALL RIGHTS RESERVED.

LOC	DIST	REVISIONS					
DW		P	LTR	DESCRIPTION	DATE	DWN	APVD
				SEE SHEET 1.			



- NOTES:
1. APPLICABLE DOCUMENT: EIA-481-2
 2. PACKAGE: 700 PCS/REEL, 5 REELS/BOX
W.G.:6.5Kg, N.G.: 5.5Kg
 3. QUANTITY: 3500 PCS.



6.5	5.5	3500	700
G.W(KGS)	N.W(KGS)	QUANTITY/ BOX	PCS/ REEL

THIS DRAWING IS A CONTROLLED DOCUMENT.		DWN		Tyco Electronics Corporation Taipei, Taiwan	
DIMENSIONS: MM		TOLERANCES UNLESS OTHERWISE SPECIFIED:		NAME	
		0 PLC ± - 1 PLC ± - 2 PLC ± - 3 PLC ± - 4 PLC ± - ANGLES ± -		MINI USB CONN., TYPE A, RCPT 5 POS., RIGHT ANGLE, SMT	
MATERIAL		FINISH		SIZE CAGE CODE DRAWING NO RESTRICTED TO A3 00779 C-1734327	
CUSTOMER DRAWING				SCALE SHEET 4 of 4 REV B	